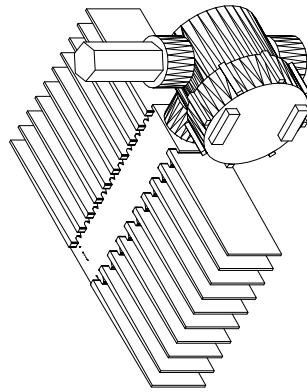
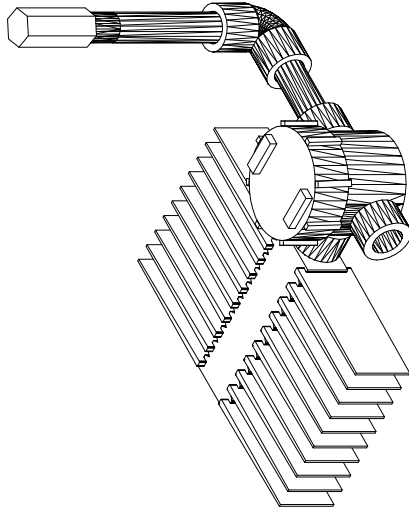


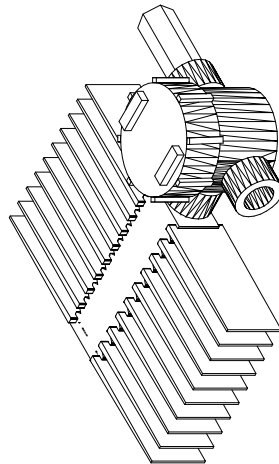


Combination of Heater and Thermostat

General arrangement for high temperature maintenance



General arrangement for freeze protection



General arrangement for freeze protection

REVISED		BY		APPR		CHANGE	
NO.	DATE						
A	04-DEC	PJ	D.F.				FIRST ISSUE

INTERTEC ®		Customer P.O. No.	
COMBINATION OF HEATER AND THERMOSTAT		Sheet 1 of 1 Scale N.T.S.	
Customer Name		Drawing No. P 0064	
Drawn by PJ		Date 04-DEC-00	
Approved by		Date	
		Box A	