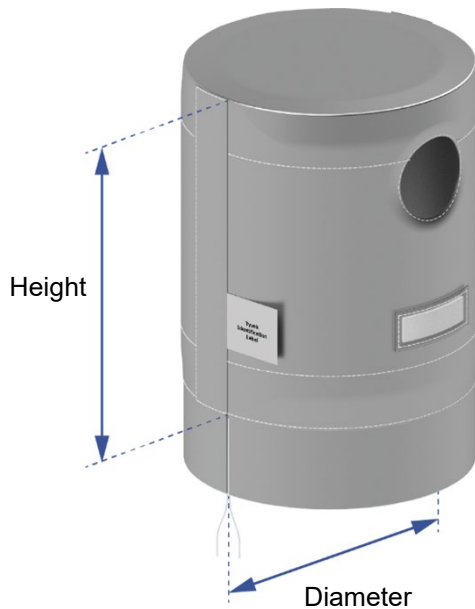


Data sheet THERMOTEX Soft Cover Cylindrical



Example: frost protection with heating cable

CE

1 Application

THERMOTEX Soft Cover Cylindrical is a flexible solution for protection against adverse weather conditions, extreme temperatures, and personnel protection for sensitive instrumentation and equipment.

Wherever standard protective housing cannot be used due to limited space or complex geometries, the THERMOTEX Soft Covers can be applied.

It is also recommended for use where quick disassembly/assembly without tools is required.

The main application of THERMOTEX Soft Cover Cylindrical is for frost protection or for temperature maintenance (e.g. protection against crystallization) in conjunction with a heating cable.

2 Description

THERMOTEX Soft Cover Cylindrical consists of several layers of insulating material, such as silicone-coated glass fabric, mineral wool and nitrile rubber.

The optional viewing window allows you to read readouts or check device IDs.

THERMOTEX Soft Cover Cylindrical can be individually adapted to suit the dimensions of the device to be protected.

The exact configuration of THERMOTEX Soft Covers always depends on the requirements in the respective area of application and the location.

THERMOTEX Soft Covers are self-supporting.

Data sheet THERMOTEX Soft Cover Cylindrical

3 Technical Data

Technical data such as insulation values, insulation material used or required heating power depend on the respective application. The calculations, as well as the selection of materials, are included as a service.

Name	Design	Unit
Height	200 / 225 / 250 / 275 / 300 / 325 / 350 / 375 / 400 / 500 / 600 / 700	mm
Diameter	200 / 225 / 250 / 275 / 300 / 325 / 350 / 375 / 400 / 450	mm
Standard color	Grey / black *	
Standard material	Silicone coated fabric *	
Temperature resistant	Standard version up to 250	°C
Maintenance free	Yes	
Self-supporting	Yes	
Tool-free dis-/mounting	Yes	

* depending on the application, the material and standard color vary.

We will make any size and shape according to your requirements if our standard products do not cover your needs.

4 Options

Name	Design
Window	Diameter: 80 / 100 / 160 [mm] Temperature and chemical resistant, non-stick properties
Heating	Self-limiting heating cable
Pockets for TAG labels	Slit pockets with or without Velcro fasteners
Color	According to your request
Special design for:	<ul style="list-style-type: none"> - High temperature up to 1,000°C (inside or outside) - Acoustic insulation - Passive Fire Protection

THERMOTEX Soft Covers can be designed to meet multiple requirements, such as acoustic insulation and Passive Fire Protection.